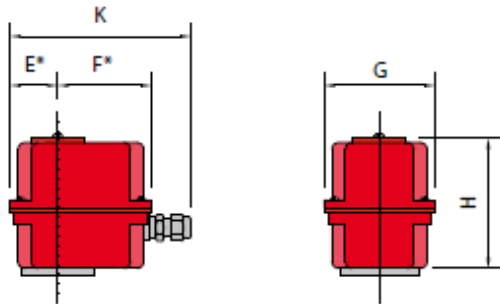


## PROINVAL ELECTRIC ACTUATOR

### BVP-20

BV Proinval single-phase electric actuators BVP-20 are used to motorize 1/4 turn, ball and butterfly valves.



Mod. UM-S	E	F	G	H	K
UMS	-	106.6	83.6	97.5	136.2

**DESCRIPTION:**

- 90° turn electric actuator.
- Torque from 15Nm up to 623Nm.

**STANDARD EQUIPMENT:**

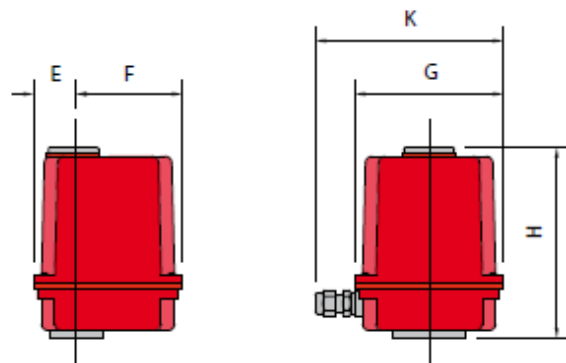
- 3 voltages: 220 VAC, 24VAC, 24VDC.
- 2 adjustable limit switches.
- Manual operation with 9mm wrench.
- Electric torque limiter.

**OPTIONAL:**

- Position information.
- Possible with positioning of 4-20mA.

**TECHNICAL DATAS:**

- Working temperature: -10°C and +60°C.
- Electric connections thanks to tow press IP68.
- Global protection: IP67.
- Weight: see attached table.



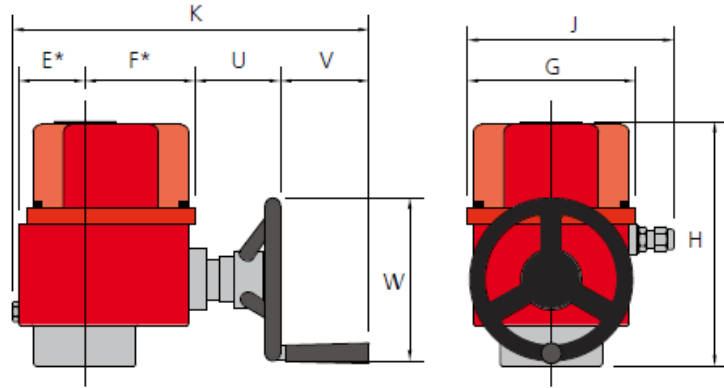
Mod. UM	E	F	G	H	K
UM - 1	34.5	77.5	112	144	148
UM - 2	36.5	81.5	112	145	140
UM - 3	52.4	112.6	165	165	200

Mod. UM-V	ISO 5211	Torque (Nm)	Voltage	Power (W)	Operating time (seg.)	Weight (Kg)
UMS	F03 / F05	15	220VAC / 24VAC	4	28	1.0
UM-1	F03 / F05	43	220VAC / 24VAC / 24VCD	15 / 10 / 10	12 / 18 / 18	1.5
UM-2	F05 / F07	70	220VAC	18	14	1.8
UM-3	F07	156 / 156 / 156	220VAC / 24VAC / 24VCD	25 / 25 / 30	10	6.0
UM-3-1	F07	156 / 156 / 156	220VAC / 24VAC / 24VCD	25 / 25 / 30	10	7.5
UM-4	F07 / F10	332 / 332 / 340	220VAC / 24VAC / 24VCD	25 / 25 / 30	36	8.3
UM-5	F10 / F12	487	220VAC	40	36	10.8
UM-6	F10 / F12	608 / 608 / 623	220VAC / 24VAC / 24VCD	60 / 60 / 65	36	11.0



## BVP-20

## PROINVAL ELECTRIC ACTUATOR



Mod. UM-V	E	F	G	H	J	K	U	V	W
UM-3-1	-	173	165	215	203	350	84	87	160
UM-4	-	173	165	240	203	350	84	87	160
UM-5	-	173	165	272	203	350	84	87	200
UM-6	-	173	165	272	203	350	84	87	200

All distances in mm.

### INSTRUCTIONS:

#### INSTALLATION:

Do not hit the motor during installation. Make sure to use the correct voltage. Once connected, secure firmly. Do not connect these equipment in parallel or series (if necessary, see connection instructions) Manual operation can be performed when there is no power supply. The valve should be above the pipe during installation. Please clean the connecting parts of the pipe before installation.

#### PRECAUTION:

Make sure there are no chemical substances which could cause an explosion near the motor .  
 Make sure that power supply is disconnected before installation or repair.  
 Once the installation is finished, please make sure that the equipment is firmly attached and that no dirt or humidity can enter the equipment.  
 Do not install directly on the valve's output.  
 Never connect equipment in parallel or in series. When more than one motor is connected to work simultaneously, each should have their own separate connecting cables.  
 The manual operation device is situated in the back of the equipment (UM-1, UM-2 and UM-3) While there is no power supply, these can be used to open and close the valve with a wrench not larger than 10 cm.  
 Do not use the manual operation device to move the valve when it has reached its limit.  
 Equipment damage may occur if the open/close indicators are forced.

#### INSTRUCTIONS:

AC Voltage: motor's thermal protection is already installed, when the valve is blocked components will not be damaged.  
 DC Voltage: a fuse will protect the motor when temperature rises.  
 The display indicates the position of the valve.  
 These equipment have two limit switches and up to four may be installed.  
 These equipment may be installed in horizontal or vertical position.  
 IP67 protection.