

2 PIECE BALL VALVE SS316 1000WOG THREAD END

APPLICATION:

Industry, Potable water distribution and pumping, sewage, irrigation

WORKING CONDITIONS:

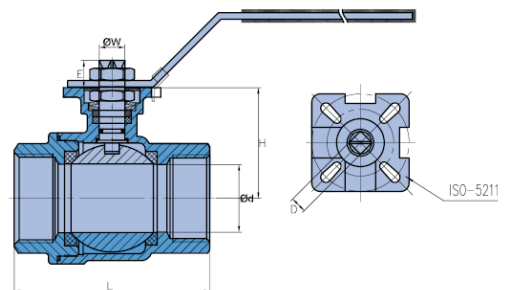
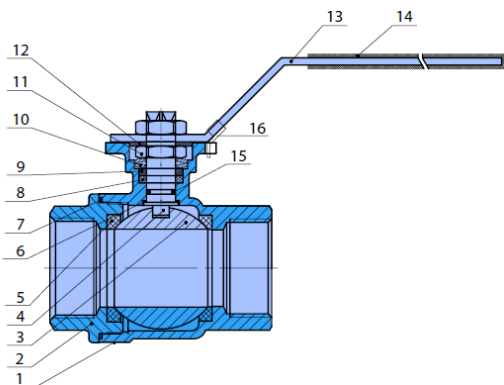
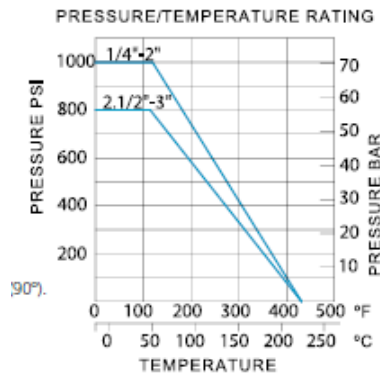
Pressure Ratings: 1000 PSI
 Working Temperature: -30°C +250°C
 Suitable Media: Water Oil Gas
 End connection: Thread end GAS/NPT
 Consult Factory for other applications

GENERAL CHARACTERISTICS:

Size Range: 1/4" ~4" Full bore.
 100% Tightness in both ways.
 Block device

STANDARDS:

Pressure Test: API 598, EN 12266
 Body: 1000 psi /PN63 WOG
 Casting Approved AD2000-WO
 PED97/23/PE(CE0036) Approved
 Thread: ASME B1.20.1
 BS21.DIN2999/259, ISO228-1, JIS B 0203, ISO7/1



No.	PART	MATERIAL
1	Body	S.Steel CF8M
2	Cap	S.Steel CF8M
3	Ball	S.Steel CF8M
4	Stem	S.Steel 316
5	Seat	PTFE
6	Thrust Washer	PTFE
7	Body Seal	PTFE
8	Stem Packing	PTFE
9	Gland Ring	S.Steel 304
10	Spring Washer	S.Steel 304
11	Stem Nut	S.Steel 304
12	Against Pine Pad	S.Steel 304
13	Handle	S.Steel 304
14	Plastic Cover	Plastic
15	O-Ring	Viton
16	Locking Device	S.Steel 304

SIZE	D	L	H	D	E	W	Kgs
1/4"	11.6	48	36.5	9	9	12	0.325
3/8"	12.5	48	36.5	9	9	12	0.335
1/2"	15	58	37.8	9	9	12	0.385
3/4"	20	65	42.5	9	9	12	0.495
1"	25	77	45	11	11	14	0.77
1.1/4"	32	90	51.5	11	11	14	1.135
1.1/2"	38	98	59.5	14	14	18	1.71
2"	50	121	68.5	14	14	18	2.705
2.1/2"	64	145	98.5	17	16	22	5.37
3"	76	166	108	17	16	22	8.18

