

2 PIECE BALL VALVE SS316 1000WOG THREAD END

APPLICATION:

Potable water distribution and pumping, sewage, irrigation

WORKING CONDITIONS:

Pressure Ratings: 1000 PSI
 Working Temperature: -30°C +250°C
 Suitable Media: Water Oil Gas
 End connection: Thread end GAS/NPT
 Consult Factory for other applications

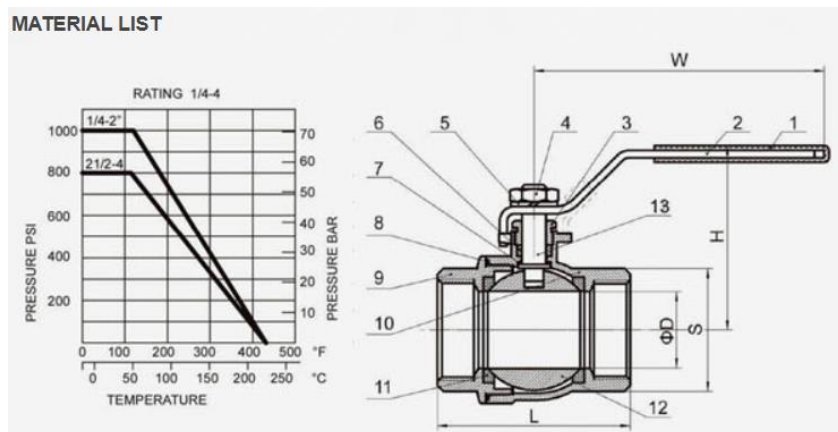
GENERAL CHARACTERISTICS:

Size Range: 1/4" ~4"
 Full bore.
 100% Tightness in both ways.
 Block device



STANDARDS:

Pressure Test: API 598, EN 12266
 Body: 1000 psi /PN63 WOG
 Casting Approved AD2000-WO PED97/23/PE(CE0036) Approved
 Thread: ASME B1.20.1 BS21.DIN2999/259, ISO228-1, JIS B 0203, ISO7/1



SIZE	D	L	H	W	S
1/4"	9.2	36	41	76	18
3/8"	12.5	42	46	76	21
1/2"	15	48	50	85	25
3/4"	20	58	57	95	31
1"	25	68.5	68	120	37.5
1.1/4"	32	80	74	120	46.5
1.1/2"	38	90.5	85	150	53
2"	50	109	94	150	66
2.1/2"	65	139	120	215	82.5
3"	80	15	130	215	97.5
4"	100	200	160	300	127

ITEM	DESIGNATION	QTY	MATERIAL
1	Hand sleeve	1	PVC
2	Handle	1	304
3	Stem nut	1	304
4	Gland nut	1	304
5	Stem nut	1	304
6	Spring washer	1	304
7	Stem Packing	1	PTFE
8	Thrust washer	1	PTFE
9	Cap	1	CF8/CF8M
10	Body	1	CF8/CF8M
11	Ball seat	2	RPTFE
12	Ball	1	CF8/CF8M
13	Stem	1	304/316

