

3 PIECE BALL VALVE SS316 1000WOG THREAD END

APPLICATION:

Potable water distribution and pumping, sewage, irrigation

WORKING CONDITIONS:

Pressure Ratings: 1000 PSI
 Working Temperature: -30°C +250°C
 Suitable Media: Water Oil Gas
 End connection: Thread end GAS/NPT
 Consult Factory for other applications

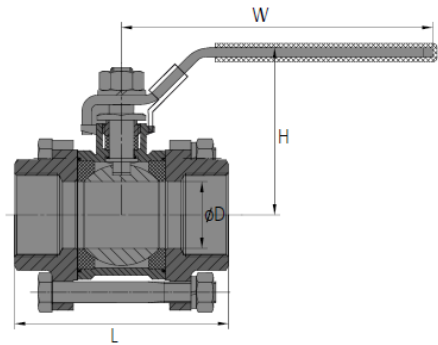
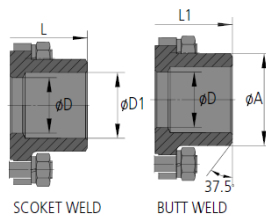
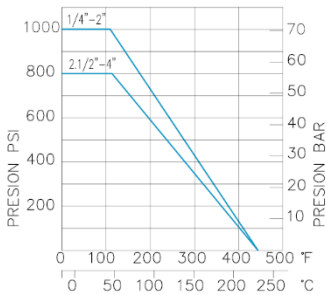
GENERAL CHARACTERISTICS:

Size Range: 1/4" ~4" Full bore.
 100% Tightness in both ways. Block device



STANDARDS:

Pressure Test: API 598, EN 12266
 Body: 1000 psi /PN63 WOG
 Casting Approved AD2000-WO PED97/23/PE(CE0036) Approved
 Thread: ASME B1.20.1 BS21.DIN2999/259, ISO228-1, JIS B 0203, ISO7/1



ITEM	DESIGNATION	QTY	MATERIAL
1	Hand Sleeve	1	PVC
2	Handle	1	304
3	Gland Nut	1	304/316
4	Stem Nut	1	304
5	Stem Washer	1	304
6	Spring Packing	1	PTFE
7	Thrust Washer	1	PTFE
8	End Cap	1	CF8/CF8M
9	Bolt	4(6)	304
10	Nut	4(6)	304
11	Spring Washer	4(6)	304
12	Body	1	CF8/CF8M
13	Ball Seat	2	RPTFE
14	Ball	1	CF8/CF8M
15	Stem	1	304/316
16	Locking Device	1	304

SIZE\ITEM	D	L	H	W
1/4"	11	50	48	48
3/8"	12	50	48	48
1/2"	15	60	52	52
3/4"	20	70	61	61
1"	25	80	65	65
1.1/4"	32	93	79	79
1.1/2"	38	100	83	83
2"	50	125	97	97
2.1/2"	64	158	135	135
3"	76	179	144	144
4"	94	223	172	172

