

## 3 PIECE BALL VALVE WITH ISO PAD SS316 1000WOG THREAD END

### APPLICATION:

Industry, potable water distribution and pumping, sewage, irrigation

### WORKING CONDITIONS:

Pressure Ratings: 1000 PSI  
Working Temperature: -30°C +250°C  
Suitable Media: Water Oil Gas  
End connection: Thread end GAS/NPT  
Consult Factory for other applications

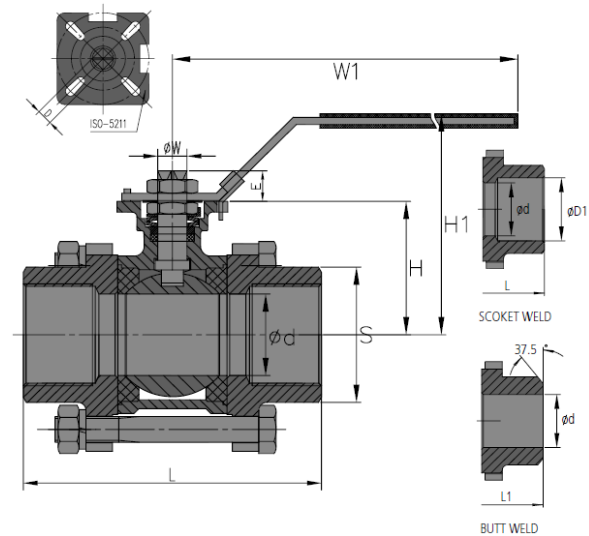
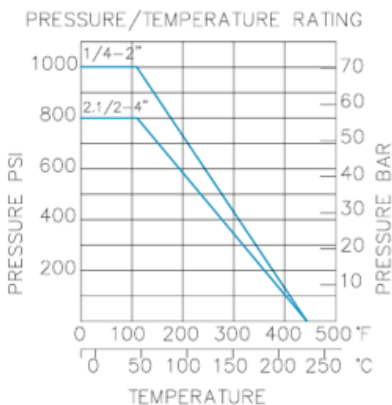
### GENERAL CHARACTERISTICS:

Size Range: 1/4" ~4"  
Full bore.  
100% Tightness in both ways. Block device



### STANDARDS:

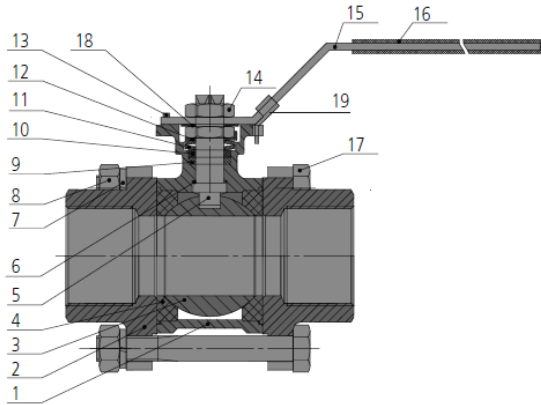
Pressure Test: API 598, EN 12266  
Body: 1000 psi /PN63 WOG  
Casting Approved AD2000-WO PED97/23/PE(CE0036) Approved  
Thread: ASME B1.20.1 BS21.DIN2999/259, ISO228-1, JIS B 0203, ISO7/1



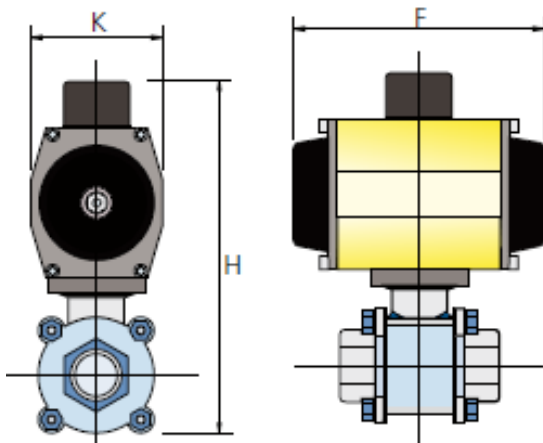
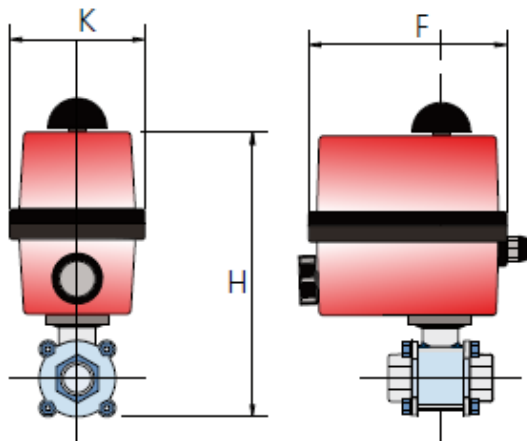
| ND     | d±0.5 | d1±0.5 | L±2 | L1±2 | H±1   | D  | E±1 | W  | W1  | H1  | Kgs.   |
|--------|-------|--------|-----|------|-------|----|-----|----|-----|-----|--------|
| 1/4"   | 11.6  | 14.2   | 55  | 60   | 38    | 9  | 9   | 12 | 143 | 65  | 0.415  |
| 3/8"   | 12.5  | 17.7   | 60  | 60   | 38    | 9  | 9   | 12 | 143 | 65  | 0.425  |
| 1/2"   | 15    | 21.8   | 75  | 70   | 38    | 9  | 9   | 12 | 143 | 65  | 0.56   |
| 3/4"   | 20    | 27.2   | 80  | 85   | 47    | 9  | 9   | 12 | 143 | 76  | 0.68   |
| 1"     | 25    | 34     | 90  | 95   | 60    | 11 | 11  | 14 | 168 | 95  | 1.06   |
| 1.1/4" | 32    | 42.7   | 110 | 110  | 62.7  | 11 | 11  | 14 | 168 | 95  | 1.695  |
| 1.1/2" | 38    | 48.8   | 120 | 120  | 79    | 14 | 15  | 18 | 190 | 115 | 2.505  |
| 2"     | 50    | 61.2   | 140 | 142  | 88    | 14 | 15  | 18 | 190 | 124 | 3.6    |
| 2.1/2" | 64    | 74     | 162 | 166  | 109.1 | 17 | 17  | 22 | 350 | 140 | 6.875  |
| 3"     | 76    | 90     | 184 | 182  | 116.2 | 17 | 17  | 22 | 350 | 150 | 10.225 |
| 4"     | 94    | 115.6  | 228 | 227  | 142   | 22 | 22  | 28 | 350 | 175 | 19     |



## 3 PIECE BALL VALVE WITH ISO PAD SS316 1000WOG THREAD END



| ITEM | DESIGNATION       | Stainless Steel | Carbon Steel |
|------|-------------------|-----------------|--------------|
| 1    | Body              | S.S 316         | WCB          |
| 2    | Cap               | S.S 316         | WCB          |
| 3    | Ball              | S.S 316         | S.S 304      |
| 4    | Seat              | PTFE+15%GF      | PTFE+15%GF   |
| 5    | Stem              | S.S 304         | S.S 304      |
| 6    | Thrust Washer     | PTFE            | PTFE         |
| 7    | Spring Wahser     | S.S 304         | S.S 304      |
| 8    | Bolt Nut          | S.S 304         | S.S 304      |
| 9    | Stem Packing      | PTFE            | PTFE         |
| 10   | Ring              | S.S 304         | S.S 304      |
| 11   | Belleville Washer | S.S 304         | S.S 304      |
| 12   | Lock Washer       | S.S 304         | S.S 304      |
| 13   | Stop Pim          | S.S 304         | WCB          |
| 14   | Handle Nut        | S.S 304         | S.S 304      |
| 15   | Handle            | S.S 304         | S.S 304      |
| 16   | Handle Sleeve     | PLASTIC         | S.S 304      |
| 17   | Bolt Nut          | S.S 304         | S.S 304      |
| 18   | Washer            | S.S 304         | S.S 304      |
| 19   | Locking Device    | S.S 304         | S.S 304      |



| ND     | Kv VALUE | TORQUE (Nm) |
|--------|----------|-------------|
| 1/4"   | 12.41    | 2.5         |
| 3/8"   | 22.92    | 2.5         |
| 1/2"   | 33       | 4           |
| 3/4"   | 58.66    | 6           |
| 1"     | 91.66    | 11          |
| 1.1/4" | 150.18   | 12          |
| 1.1/2" | 211.78   | 12          |
| 2"     | 366.65   | 35          |
| 2.1/2" | 619.65   | 45          |
| 3"     | 938.63   | 55          |
| 4"     | 1466.62  | 87          |

