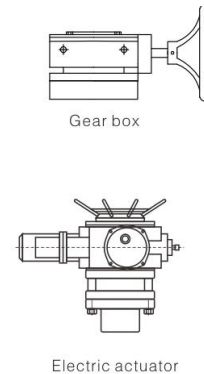
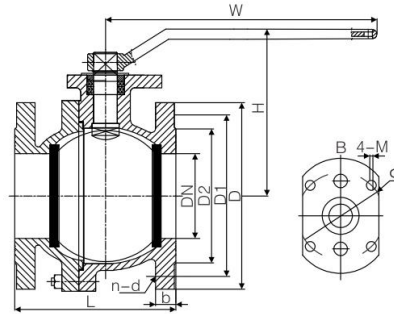


2 PIECE BALL VALVE CAST IRON FLANGED END



GENERAL CHARACTERISTICS:

Range from 1/2" up to 12" Full bore
 Design DIN3357 EN12516 F4 / F5 Flanges DIN2501 PN16
 Direct mounting ISO Flange ISO5211. Blow-out proof Stem
 Fire Safe Device ISO10497 & Anti-Static ISO 17292
 Manufacture acc. to the requirements of the EU directive
 2014/68/EU Equipment under pressure: Cat. III mod. H
 Inspection Testing API598 EN12266

WORKING CONDITIONS:

Maximum Working Pressure: PN16
 Max. Working Temperature: -20 °C / +120 °C
 Suitable Media: Water, Oil, Gas, others.
 Consult Factory for other applications

PN10

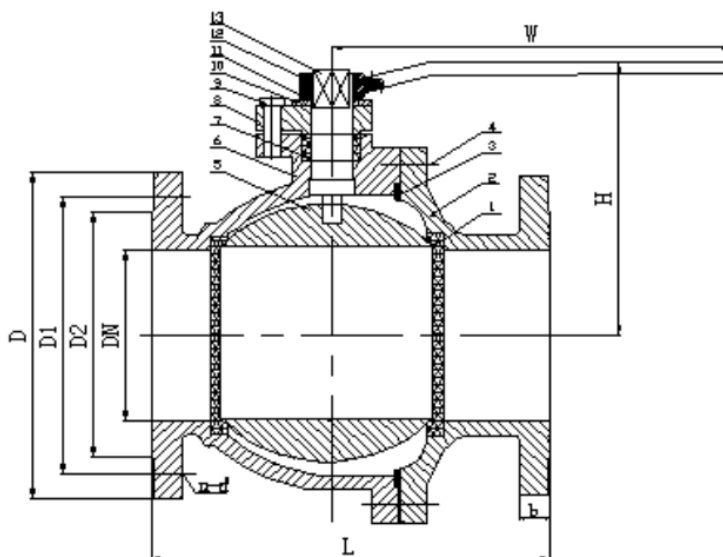
| DN | L | D | D1 | D2 | b | n-d | H | W | φ | 4-M |
|-----|-----|-----|-----|-----|----|-------|-----|-----|-----|-----|
| 15 | 115 | 95 | 65 | 45 | 14 | 4-14 | 78 | 120 | 42 | 5 |
| 20 | 120 | 105 | 75 | 58 | 16 | 4-14 | 113 | 140 | 42 | 5 |
| 25 | 125 | 115 | 85 | 68 | 16 | 4-14 | 107 | 150 | 42 | 5 |
| 32 | 130 | 140 | 100 | 78 | 18 | 4-18 | 113 | 195 | 50 | 6 |
| 40 | 140 | 150 | 110 | 88 | 18 | 4-18 | 130 | 205 | 50 | 6 |
| 50 | 150 | 165 | 125 | 102 | 20 | 4-18 | 146 | 245 | 70 | 8 |
| 65 | 170 | 185 | 145 | 122 | 20 | 4-18 | 176 | 285 | 102 | 10 |
| 80 | 180 | 200 | 160 | 138 | 22 | 8-18 | 222 | 300 | 102 | 10 |
| 100 | 190 | 220 | 180 | 158 | 24 | 8-18 | 222 | 320 | 102 | 10 |
| 125 | 325 | 250 | 210 | 188 | 26 | 8-18 | 250 | 350 | 125 | 12 |
| 150 | 350 | 285 | 240 | 212 | 26 | 8-22 | 275 | 600 | 140 | 16 |
| 200 | 400 | 340 | 295 | 268 | 30 | 8-22 | 325 | 650 | 165 | 20 |
| 250 | 450 | 405 | 355 | 320 | 32 | 12-22 | 350 | 650 | 165 | 20 |
| 300 | 500 | 460 | 410 | 370 | 32 | 12-22 | 450 | 700 | 165 | 20 |

PN16

| DN | L | D | D1 | D2 | b | n-d | H | W | φ | 4-M |
|-----|-----|-----|-----|-----|----|-------|-----|-----|-----|-----|
| 15 | 115 | 95 | 65 | 45 | 14 | 4-14 | 78 | 120 | 42 | 5 |
| 20 | 120 | 105 | 75 | 58 | 16 | 4-14 | 113 | 140 | 42 | 5 |
| 25 | 125 | 115 | 85 | 68 | 16 | 4-14 | 107 | 150 | 42 | 5 |
| 32 | 130 | 140 | 100 | 78 | 18 | 4-19 | 113 | 195 | 50 | 6 |
| 40 | 140 | 150 | 110 | 88 | 18 | 4-19 | 130 | 205 | 50 | 6 |
| 50 | 150 | 165 | 125 | 102 | 20 | 4-19 | 146 | 245 | 70 | 8 |
| 65 | 170 | 185 | 145 | 122 | 20 | 4-19 | 176 | 285 | 102 | 10 |
| 80 | 180 | 200 | 160 | 138 | 22 | 8-19 | 222 | 300 | 102 | 10 |
| 100 | 190 | 220 | 180 | 158 | 24 | 8-19 | 222 | 320 | 102 | 10 |
| 125 | 325 | 250 | 210 | 188 | 26 | 8-19 | 250 | 350 | 125 | 12 |
| 150 | 350 | 285 | 240 | 212 | 26 | 8-23 | 275 | 600 | 140 | 16 |
| 200 | 400 | 340 | 295 | 268 | 30 | 12-23 | 325 | 650 | 165 | 20 |
| 250 | 450 | 405 | 355 | 320 | 32 | 12-27 | 350 | 650 | 165 | 20 |
| 300 | 500 | 460 | 410 | 378 | 32 | 12-27 | 450 | 700 | 165 | 20 |



2 PIECE BALL VALVE CAST IRON FLANGED END



| Item | Part | Material | Qty |
|------|-----------------|-----------------|-----|
| 1 | Washer | PTFE | 2 |
| 2 | Bonnet | GG25 | 1 |
| 3 | Gasket | PTFE | 1 |
| 4 | Bolt | 40Cr | 8 |
| 5 | Ball | SS304 | 1 |
| 6 | Body | GG25 | 1 |
| 7 | Washer | PTFE | 4 |
| 8 | Gland | GGG50 | 1 |
| 9 | Bolt | 40Cr | 2 |
| 10 | Locating washer | Galvanized iron | 1 |
| 11 | Locking ring | Steel | 1 |
| 12 | Wrench | GGG50 | 1 |
| 13 | Stem | SS304 | 1 |