

FLAP VALVE FLANGED END

WORKING CONDITIONS:

Pressure Ratings: 1.0Mpa; 1.6Mpa
 Working Temperature: -10C-80C
 Flow Media: Clean Water

STANDARDS:

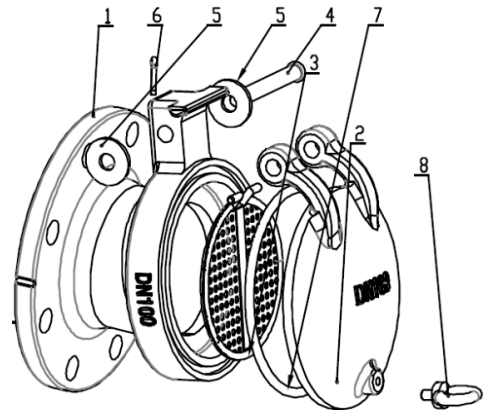
Size Range: DN50-300mm
 End Connections: PN10, PN16.
 Comply with EN 558-1, ISO 5752
 and EN 1092-2, ISO 7005-2 flange dimension.

GENERAL FEATURES:

Low-cost installation
 Closure metal/Epdm



ITEM	PART	MATERIAL
1	Body	GJS500
2	Bonnet	GJS500
3	Screen	SS304
4	Pin	SS304
5	Gasket	SS304
6	Cotter	SS304
7	Rubber Ring	EPDM
8	Ring M8	WCB



DN	ØD		ØK		ØG		n-Ød		A	B	H	L
	PN10	PN16	PN10	PN16	PN10	PN16	PN10	PN16				
DN50	Ø165	Ø165	Ø125	Ø125	Ø102	Ø102	4-Ø19	4-Ø19	3	19	107	129
DN65	Ø185	Ø185	Ø145	Ø145	Ø122	Ø122	4-Ø19	4-Ø19	3	19	119	146
DN80	Ø200	Ø200	Ø160	Ø160	Ø138	Ø138	8-Ø19	8-Ø19	3	19	128	150
DN100	Ø220	Ø220	Ø180	Ø180	Ø158	Ø158	8-Ø19	8-Ø19	3	19	141	158
DN125	Ø250	Ø250	Ø210	Ø210	Ø188	Ø188	8-Ø19	8-Ø19	3	19	151	165
DN150	Ø285	Ø285	Ø240	Ø240	Ø212	Ø212	8-Ø23	8-Ø23	3	19	169	168
DN200	Ø340	Ø340	Ø295	Ø295	Ø268	Ø268	8-Ø23	12-Ø23	3	20	200	185
DN250	Ø405	Ø405	Ø350	Ø355	Ø320	Ø325	12-Ø23	12-Ø27	3	22	250	245
DN300	Ø460	Ø460	Ø400	Ø410	Ø370	Ø378	12-Ø23	12-Ø27	3	25	320	305

