

UNIDIRECTIONAL SEAL KNIFE VALVE WITH PROTECTOR RING



MODEL: 801A

WORKING PRESSURE:

DN50-DN100 16Bar DN125-DN200 14Bar
 DN250-DN300 12Bar DN350-DN400 10Bar
 DN450-DN550 8Bar DN600-DN650 5Bar
 DN700-DN750 4Bar DN800-DN900 3Bar
 DN1000-DN1400 2Bar

STANDARDS:

Type: Wafer, Lug
 Design: MSS SP-81
 Flange Standard: DIN PN10, PN16, 150LB, JIS 10K, TABLE E/D
 Face to Face: MSS SP-81
 Testing Standard: API-598
 Operation: handwheel, electric, pneumatic, hydraulic, sprocket, electro-hydraulic, gear

GENERAL CHARACTERISTICS:

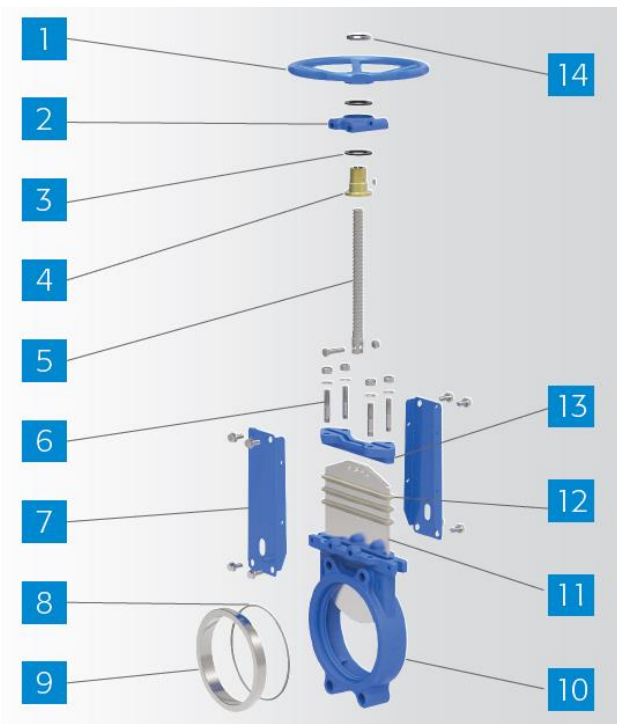
Main Material: GGG40, WCB, CF3M, CF8M, CF8
 Wedge Material: SS316L, SS304
 Sealing Material: NBR, EPDM, FKM, Metal to Metal
 Packing: Aramid fiber, high-water-based rubber packing graphite wheel
 Applicable Medium: Applicable for coal in power plant, slag discharge, sewage treatment, food, paper making, medicine, petroleum and chemical industry, water, Oil, steam, connecting or cutting grout, gold powder, ores, slag, coal, pulp, wood pulp, tailings, fibers, dust, chemicals, sewage treatment, sedimentation tanks, asphalt, bunker export, fruit juices, cereals, slaughter plant waste and other media. Especially used for mining in electricity plant.

FEATURES:

- ✚ Separate seats improve sealing
- ✚ increase seat life
- ✚ 2PC Strong yoke design
- ✚ Mixed with a variety of materials packing

PRODUCT DESCRIPTION:

801A Series Knife gate valve is with replaceable rubber seal knife gate structure, its sealing principle is mainly by closely connection between gate and rubber seals. Its main characters are that the rubber sealing ring is set in seat groove and is locked by metal seat, which will prevent rubber seal off when opening and closing the valve. This valve is cost-effective.

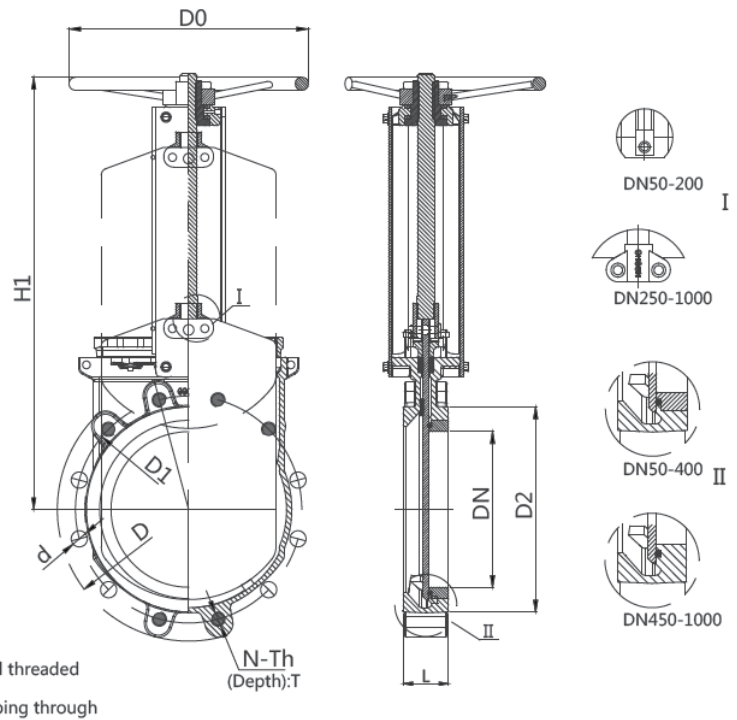


No.	Part	Material	QTY
1	Hand Wheel	GGG40	1
2	Yoke Flange	GGG40	1
3	Bearing	Gcr 15	2
4	Stem Nut	Brass	1
5	Stem	2Cr13/SS304/SS316	1
6	Bolt & Nut	Fe+Zn/SS304	N
7	Yoke	Q235	2
8	Seat	EPDM/NBR/PTFE/Metal	1
9	Seat Gland	WCB/SS304/SS316	1
10	Body	F55, F53, CF3M, CF8M, CF8, WCB, GGG40	1
11	Disc	SS304/SS316L	1
12	Packing	PTFE	3-5
13	Packing Gland	CF8/WCB	1
14	Stop Nut	Q235	1



UNIDIRECTIONAL SEAL KNIFF VALVE WITH PROTECTOR RING

Dimension

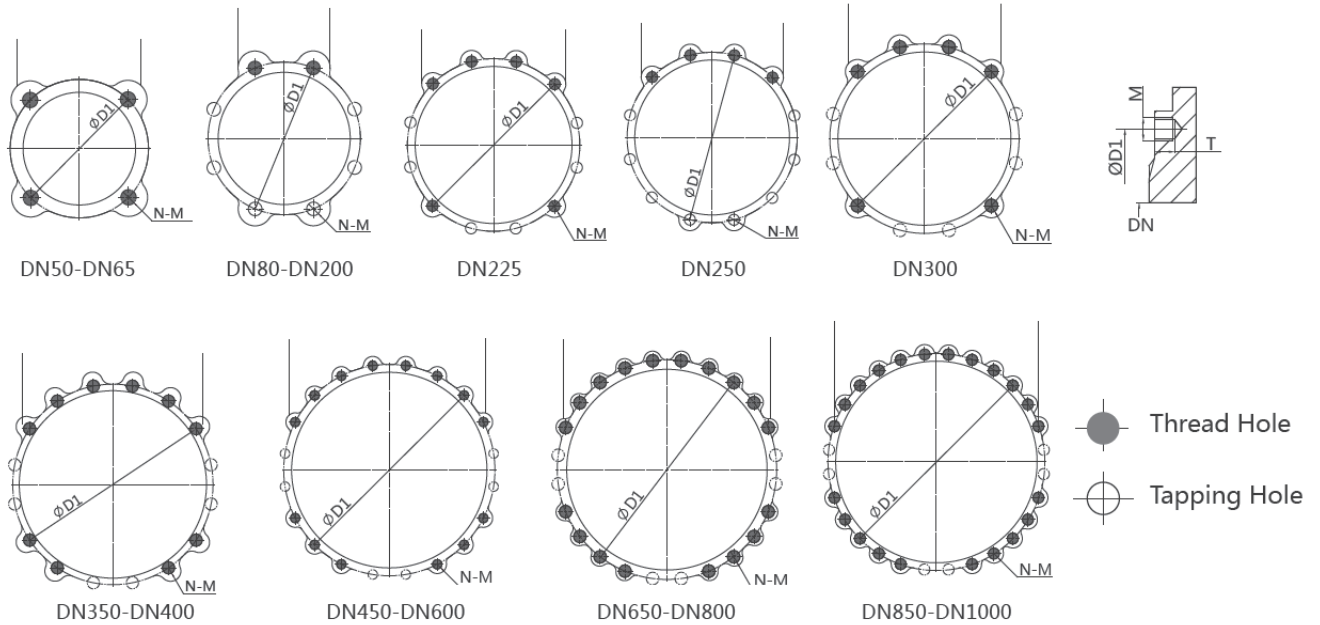


DIN2632 PN10								ANSI 150LB								
DN	L	D	D1	D2	D0	N-Th	d(φ)	DN	L	D	D1	D2	D0	N-Th	d(φ)	H1
50	48	165	125	99	180	4-M16	18	2"	48	152	121	92	180	4-5/8"	19	260
65	48	185	145	118	200	4-M16	18	2 1/2"	48	178	140	105	200	4-5/8"	19	292
80	51	200	160	132	200	8-M16	18	3"	51	191	153	127	200	4-5/8"	19	320
100	51	220	180	156	240	8-M16	18	4"	51	229	191	157	240	8-5/8"	19	358
125	57	250	210	184	260	8-M16	18	5"	57	254	216	186	260	8-3/4"	22	395
150	57	285	240	211	280	8-M20	23	5 1/2"	57	279	242	216	280	8-3/4"	22	450
175	57	305	265	237	280	12-M20	23	6"	70	343	299	270	300	8-3/4"	22	532
200	70	340	295	266	300	8-M20	23	8"	70	406	362	324	320	12-7/8"	25	670
250	70	395	350	319	320	12-M20	23	10"	70	406	362	324	320	12-7/8"	25	758
300	76	445	400	370	350	12-M20	23	12"	76	483	432	381	350	12-7/8"	25	857
350	76	505	460	429	400	16-M20	23	14"	76	533	476	413	400	12-1"	29	946
400	89	565	515	480	450	16-M24	27	16"	89	597	540	470	450	16-1"	29	1023
450	89	615	565	530	500	20-M24	27	18"	86	635	578	533	500	16-1 1/8"	32	1123
500	114	670	620	582	500	20-M24	27	20"	114	699	635	584	500	20-1 1/8"	32	Gear
550	114	725	680	638		20-M27	30	22"	114	750	692	641		20-1 1/4"	35	Gear
600	114	780	725	682		20-M27	30	24"	114	813	750	691		24-1 1/4"	35	Gear
700	127	895	840	794		24-M27	30	26"	114	870	806	749		28-1 1/4"	35	Gear
800	127	1015	950	901		24-M30	33	28"	127	927	864	800		28-1 1/4"	35	Gear
900	127	1115	1050	1001		28-M30	33	30"	127	985	914	857		28-1 1/2"	41	Gear
1000	149	1230	1160	1112		28-M33	36	32"	127	1060	978	914		32-1 1/2"	41	Gear
1100	149	1340	1260	1220		28-M33	36	34"	127	1110	1029	965		32-1 1/2"	41	Gear
1200	156	1455	1380	1328		32-M36	39	36"	127	1170	1086	1022		32-1 1/2"	41	Gear
1400	1675	1675	1590	1530		40-M39	42	38"	149	1240	1149	1073		36-1 1/2"	41	Gear
								40"	149	1290	1200	1124		36-1 1/2"	41	Gear
								42"	149	1345	1257	1194		40-1 1/2"	41	Gear
								44"	149	1405	1314	1245		40-1 1/2"	41	Gear
								46"	149	1455	1365	1295		44-1 1/2"	41	Gear
								48"	156	1510	1422	1359		44-1 3/4"	41	Gear
								50"	156	1570	1480	1410		44-1 3/4"	51	Gear
								52"	156	1625	1537	1461		44-1 3/4"	51	Gear
								54"	171	1685	1594	1511		44-1 3/4"	51	Gear
								56"	171	1745	1651	1575		48-1 3/4"	51	Gear



UNIDIRECTIONAL SEAL KNIFE VALVE WITH PROTECTOR RING

PN10 Threaded hole and Tapping hole

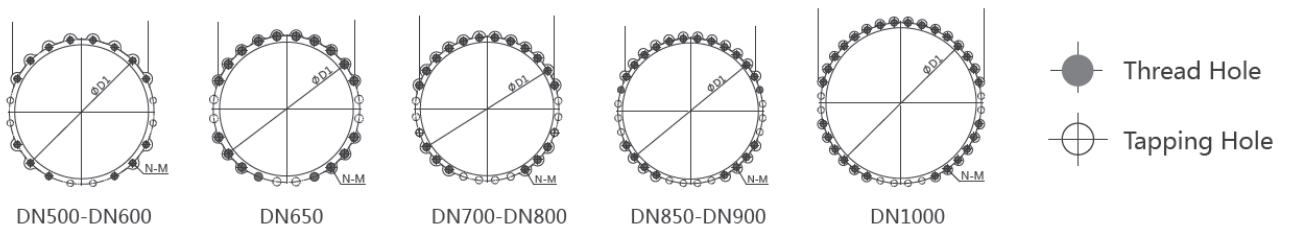
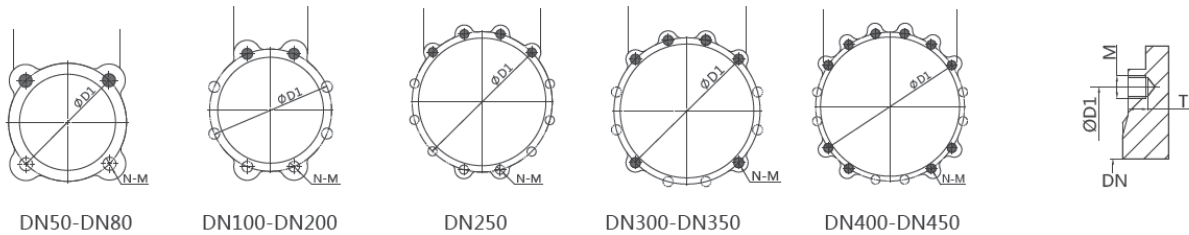


PN10						
DN	D1	N	M	T	Thread Hole	Tapping Hole
50	125	4	16	13	2	2
65	145	4	16	13	2	2
80	160	8	16	13	2	6
100	180	8	16	13	2	6
125	210	8	16	16	2	6
150	240	8	16	16	2	6
200	295	8	16	20	2	6
225	310	12	20	20	6	6
250	350	12	20	20	4	8
300	400	12	20	20	6	6
350	460	16	20	20	10	6
400	515	16	24	24	10	6
450	565	20	24	24	14	6
500	620	20	24	24	14	6
550	680	20	27	24	14	6
600	725	20	27	27	14	6
700	840	24	27	27	18	6
800	950	24	30	30	18	6
900	1050	28	30	30	22	6
1000	1160	28	33	33	22	6



UNIDIRECTIONAL SEAL KNIFE VALVE WITH PROTECTOR RING

150LB Threaded hole and Tapping hole



ANSI 150LB

DN	D1	N	M	T	Thread Hole	Tapping Hole
2"	121	4	M5/8-11	12	2	2
2-1/2"	140	4	M5/8-11	12	2	2
3"	153	4	M5/8-11	12	2	2
4"	191	8	M5/8-11	12	2	6
5"	216	8	M3/4-10	12	2	6
6"	242	8	M3/4-10	14	2	6
8"	299	8	M3/4-10	16	2	6
10"	362	12	M7/8-9	16	2	6
12"	432	12	M7/8-9	16	6	6
14"	476	12	M1-8	18	6	6
16"	540	16	M1-8	20	10	6
18"	578	16	M1 1/8-7	20	10	6
20"	635	20	M1 1/8-7	24	14	6
22"	692	20	M1 1/4-7	24	14	6
24"	750	20	M1 1/4-7	27	14	6
26"	806	24	M1 1/4-7	27	18	6
28"	864	28	M1 1/4-7	27	22	6
30"	914	28	M1 1/4-7	27	22	6
32"	978	28	M1 1/2-6	30	22	6
34"	1029	32	M1 1/2-6	30	20	12
36"	1086	32	M1 1/2-6	30	20	12
40"	1200	36	M1 1/2-6	35	28	8

