

VALVULA DE RETENCION DE DOBLE PLATO WAFER

APLICACION:

Suitable for use in fire prevention, air conditioning facilities, irrigation and water supplying.

GENERAL CHARACTERISTICS:

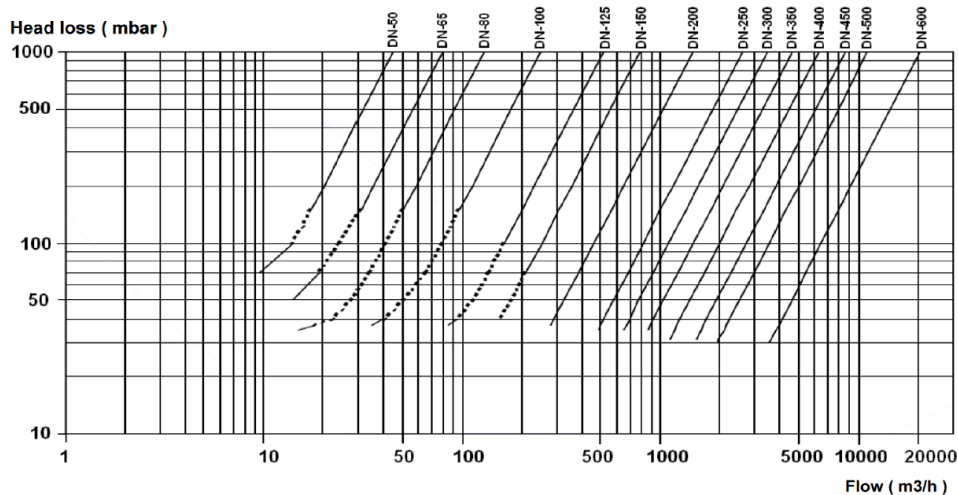
Range from ND40 up to ND1200.
 Vulcanized gasket.
 Assembling in horizontal & Vertical position ascending flow.
 Epoxy paint 250 microns RAL 5015.

WORKING CONDITIONS:

Maximum Working Pressure: 16 bar.
 Max. Working Temperature: +80 °C (NBR) / +120 °C (EPDM)
 Suitable Media: Water
 Consult Factory for other applications

STANDARDS:

Face to Face: EN 558-1 Series 16.
 100% sealing according to: ISO 5208 Rate A.
 Mounting between flanges: PN10 / PN16 EN 1092-2.
 Pressure Test: EN 12266-1, DIN 3230, BS6755 y ISO 5208:
 Body: 24 bar. Seat: 17,6 bar.
 Manufacture acc. to the requirements of the EU directive
 2014/68/EU Equipements under pressure: Cat. III mod. H



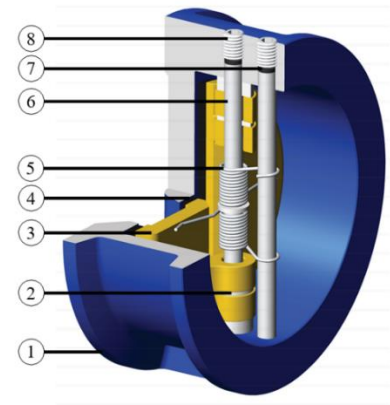
DN ND	40	50	65	80	100	125	150	200	250	300	350	400	450	500	600
Presión (mbar) Pressure (mbar)	42	42	42	38	30	26	25	18	17	16	15	13	13	10	9



VALVULA DE RETENCION DE DOBLE PLATO WAFER

FEATURES:

Designed to comply with API 594. Adopting dual plate design for efficient sealing. Valve inspection and testing comply with API 598. Available in Series F16 and Series F125. Series F16 check valve compatible with GB, DIN, BS flanges. Face to face according to ISO 5752 basic series 16(wafer long). F125 check valve compatible with ANSI 125/150 flanges. Available in wafer type body. With many body/trim combinations, there is check valve to meet your application.

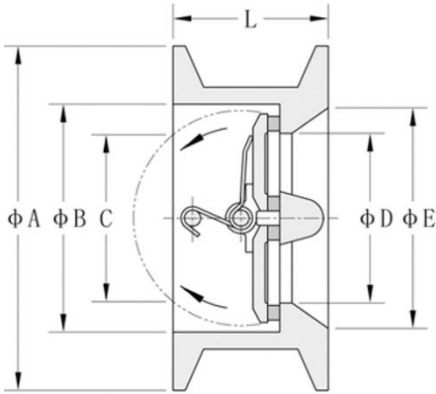


MATERIALS

Item	Part Name	Materials
1	Body	Cast Iron: ASTM A126CL. B, DIN1691 GG25, EN 1561 EN-GJL-200; GB12226 HT200;
		AISI304/316
		ASTM A536 65-45-12, DIN 1693 GGG40, EN1563 EN-GJS-400-15, GB12227 QT450-10;
2	Washer	PTFE, Nylon
3	Disc	Ductile Cast Iron (Nickel plated):
		ASTM A536 65-45-12, DIN 1693 GGG40, EN1563 EN-GJS-400-15, GB12227 QT450-10; Stainless Steel: ASTM A351 CF8, CF8M; CF3, CF3M; EN 1.4408, 1.4469; 1.4501; AL-Bronze: ASTM B148 C95400;
4	Seat	NBR, EPDM, Neoprene, Viton;
5	Spring	Stainless Steel: ASTM A276 Type 304, Type 316, Type 410;
6	Stem	Stainless Steel: ASTM A276 Type 304, Type 316, Type 410;
7	Seal Washer	NBR, EPDM, Neoprene, Viton;
8	Screw	Carbon Steel; Stainless Steel: ASTM A276 Type 316, Type 410;

VALVULA DE RETENCION DE DOBLE PLATO WAFER

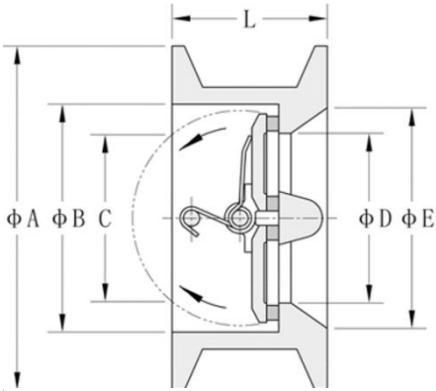
DIMMENSIONS



DIN PN10/16

mm	inch	A	B	C	D	E	L
50	2	107	65	49	48	59	43
65	2.5	127	80	63	60	78	46
80	3	142	94	69	70	91	64
100	4	162	117	97	88	110	64
125	5	192	145	121	115	142	70
150	6	218	170	145	134	170	76
200	8	273	224	197	182	222	89
250	10	328	265	234	223	264	114
300	12	378	310	284	260	310	114
350	14	438	360	333	300	360	127
400	16	489	410	379	355	414	140
450	18	539	450	415	382	450	152
500	20	594	505	472	435	505	152
600	24	695	624	579	536	605	178
700	28	798	725	673	630	715	229
800	32	906	825	775	720	815	241
900	36	1004	925	877	820	915	241
1000	40	1116	1025	969	912	1015	300
1200	48	1332	1228	1161	1100	1220	360

VALVULA DE RETENCION DE DOBLE PLATO WAFER



DIMMENSIONS



ANSI125/150

Inch	mm	A	B	C	D	E	L
2	50	105	65	20	48	59	54
2½	65	124	80	49	60	78	54
3	80	137	94	76	70	91	57
4	100	175	117	97	88	110	64
5	125	197	145	121	115	142	70
6	150	222	170	145	134	170	76
8	200	279	224	193	182	222	95
10	250	340	265	239	223	264	108
12	300	410	310	259	260	310	143
14	350	451	360	274	300	360	184
16	400	514	410	331	355	414	191
18	450	549	450	369	382	450	203
20	500	606	505	423	435	505	213
24	600	718	624	545	536	605	222
30	750	873	775	667	680	765	305
36	900	1038	925	776	820	915	368
42	1050	1210	1078	935	960	1065	432
48	1200	1375	1228	1021	1100	1220	524