

BUTTERFLY VALVE CENTER STEM GROOVE VALVE

APPLICATION:

Water, HVAC installations, pressurized air, industry, etc.

GENERAL CHARACTERISTICS:

Concentric Disc Valves.
 Range from ND40 up to ND300.
 Tightness in both ways.
 Long neck for heat-insulated installations.
 Top Flange according to ISO 5211.
 10 positions's lever.

WORKING CONDITIONS (EPDM):

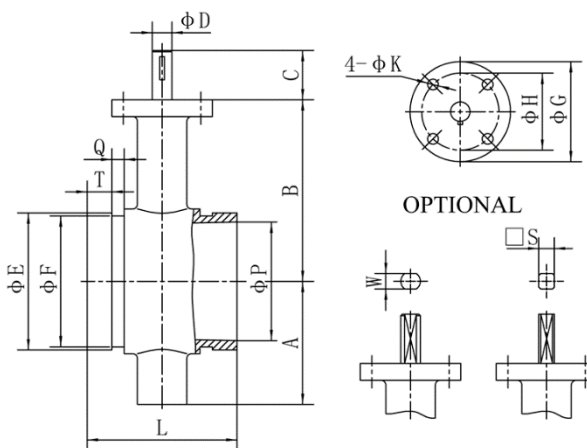
Maximum Working Pressure: 16 bar.
 Maximum Working Temperature: -10 °C / +120 °C.

STANDARDS:

Pressure Test: EN 12266-1, DIN 3230, BS6755 y ISO 5208:
 Body: 24 bars. Seat: 17,6 bars.
 Manufacture acc. to the requirements of the EU directive 2014/68/EU Equipment under pressure: mod. H.



DESCRIPTION	MATERIAL
Lever	Aluminum /Cast iron
Body	GJS400
Disc	GJS400 + EPDM
Stem	AISI 420
Bushing	PTFE
O-Ring	EPDM/NBR

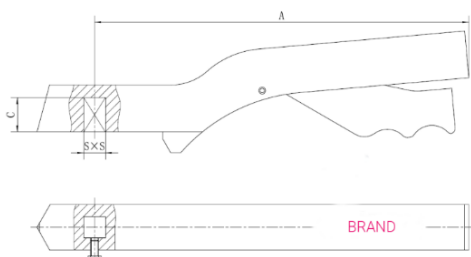


Size	DN	A	B	C	D	E	F	Q
2	50	65	102	32	12.7	60.5	57	8
2½	65	72	112	32	12.7	73	69	8
3	80	80	118	32	12.7	89	85	8
4	100	100	137	32	15.9	114.5	110	9.5
5	125	118	149	32	19.1	141.5	137	9.5
6	150	140	170	32	19.1	168.5	164	9.5
8	200	175	204	38	22.2	219	214.5	11.5
10	250	215	250	38	28.6	273	268.5	13
12	300	258	275	38	31.8	324	318.5	13



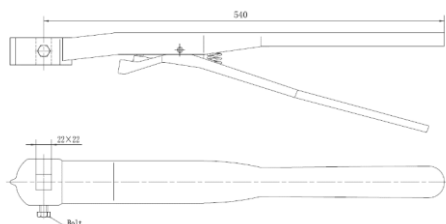
BUTTERFLY VALVE CENTER STEM GROOVE VALVE

ALUMINUM LEVER DN040 TO DN200



DN200	270	17	22
DN125-DN150	270	14	22
DN100	270	11	22
DN40-DN80	198	9	20
	A	S	C min

CAST IRON LEVER DN250/300



DN250-300	540	22	22
	A	S	C min



Model HA:

- Malleable cast iron handle
- 10 position zinc plated steel throttling plate
- Economy utility



Model HB:

- Malleable cast iron handle
- 10 position zinc plated steel throttling plate
- With padlock hole



Model HC:

- Carbon Steel handle
- 10 position zinc plated steel throttling plate
- Beautiful, lower weight



Model HD:

- Malleable cast iron handle
- 10 position ABS throttling plate
- With padlock hole



Model HE:

- Malleable cast iron handle
- 10 position zinc plated steel throttling plate
- High strength, durable



Model HF:

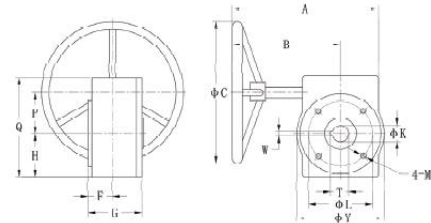
- Aluminum alloy handle
- 10 position aluminum alloy throttling plate
- Resistance corrosive, lower weight

BUTTERFLY VALVE CENTER STEM GROOVE VALVE

The series 3D gear operator can be used on all resilient butterfly valves. Adjustable end of travel stops is standard, and factory set when the gear box is factory mounted.

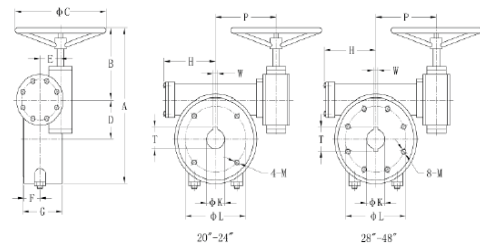
Part	MATERIAL
Housing Body	CI, DI, Aluminum Alloy
Worm Gear	DI, AL-Bronze
Worm	Carbon Steel
Worm Shaft	Carbon Steel, Stainless Steel

Single-Stage Drive Device



Valves Sizes		Model	Torque (N·M)	Ratio	A	B	C	F	G	H	L	P	Q	M	K	T	W	Y
mm	inch																	
20~80	1~3	3D-15	170	24 : 1	230	178	144	38	62	53	50	45	125	M6	13	14	3	105
100	4	3D-15	170	24 : 1	230	178	144	38	62	53	70	45	125	M8	16	18	5	105
125~150	5~6	3D-15	170	24 : 1	230	178	144	38	62	53	70	45	125	M8	19	21	5	105
200	8	3D-50	750	30 : 1	310	235	208	41	78	76	102	63	174	M10	22	25	8	158
250	10	3D-50	750	30 : 1	310	235	208	41	78	76	102	63	174	M10	29	32	8	158
300~350	12~14	3D-120	1200	50 : 1	305	226	225	42	80	81	102	81	195	M10	32	35	8	170
400	16	3D-250	2500	80 : 1	317	217	291	48	105	125	165	95	255	M20	33	37	10	210
450	18	3D-250	2500	80 : 1	317	217	291	48	105	125	165	95	255	M20	38	41	10	210

Double-Stage Drive Device



Valves Sizes		Model	Torque (N·M)	Ratio	A	B	C	F	D	E	F	G	H	L	P	M	T	W
mm	inch																	
500	20	3D-30/300	3000	300 : 1	480	210	285	110	63	52	120	160	165	185	M20	41	44.6	10
600	24	3D-30/400	4000	697 : 1	520	210	285	125	63	57	120	160	165	185	M20	51	55.1	16
700-800	28-32	3D-60/800	8000	782 : 1	560	220	360	160	78	62	128	160	254	218	M16	55	63.6	16
900	36	3D-120/1500	15000	782 : 1	660	255	450	192	120	130	218	208	252	282	M16	75	84.8	20
1000	40	3D-120/1500	15000	782 : 1	660	255	450	192	120	130	218	208	252	282	M16	85	95.8	22
1050	42	3D-120/1500	15000	782 : 1	660	255	450	192	120	130	218	208	252	282	M16	85	95.8	22
1200	48	3D-120/1500	26000	768 : 1	825	235	570	300	126	196	322	305	298	418	M20	92	103	25



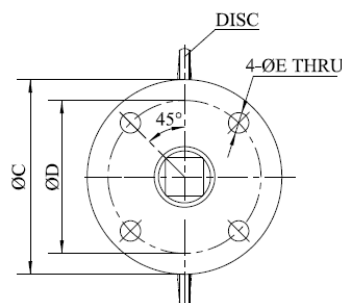
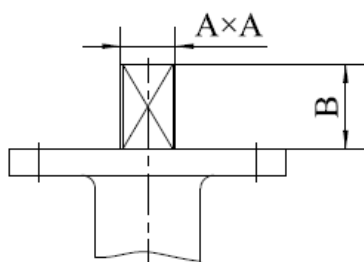
**BUTTERFLY VALVE CENTER STEM
GROOVE VALVE**

OD connection bar of hand wheel

DN50-150	16mm
DN200-350	19mm
DN400-450	25mm
DN500-600	20mm
DN700-1000	28mm



Free shaft square connection details



DN	A	B	C	D	E
40	9	32	65	50	7
50	9	32	65	50	7
65	9	32	65	50	7
80	9	32	65	50	7
100	11	38	90	70	9.5
125	14	38	90	70	9.5
150	14	38	90	70	9.5
200	17	38	90	70	9.5
250	22	38	125	102	11.5
300	22	38	125	102	11.5
350	22	45	125	102	11.5
400	27	51	210	165	22
450	27	51	210	165	22
500	27	64	210	165	22
600	36	70	210	165	22



BUTTERFLY VALVE CENTER STEM GROOVE VALVE

Valve Torques (N·M) Torques for differential pressure

inch	mm	0.4MPa	0.6MPa	1.0MPa	1.4MPa	1.6MPa
1½"	40	10.2	10.8	11.5	12.5	12.9
2"	50	15.7	16.7	17.5	18.5	19.2
2½"	65	23.7	25.8	27.7	29.8	30.9
3"	80	32.6	34.7	36.7	38.5	39.6
4"	100	45.8	51	56.4	61.6	64.8
5"	125	66.8	76	85.4	94.5	101.8
6"	150	94.6	109.2	123.8	138.3	147.8
8"	200	167.6	187	206.6	226.1	240
10"	250	264.2	296.1	328	359.8	380.1
12"	300	406.1	442	478.1	513.8	538
14"	350	417.5	485.5	553.6	627.1	674.9
16"	400	673.8	771.8	870	947	993.4
18"	450	994.4	1145.6	1297	1452.5	1552.9
20"	500	1322.3	1452.1	1581.7	1717.7	1804.6
24"	600	2440.2	2659.4	2878.8	2962.4	3029.9
28"	700	3006.9	3484.6	3978.1	4478	4797.9
30"	750	4320.3	4651.5	4982.6	5303.8	5511.5
32"	800	5695.1	6100.9	6597.6	7102.3	7426
36"	900	8647.1	9021.6	9395.7	9774.4	10020.8
40"	1000	10934	11578.6	12417	13111.3	13555.6
42"	1050	13043.4	13608.7	14172.8		
48"	1200	17085.6	17827.3	18566.4	19313.8	19800.3

All torque values shown on chart are for "wet" (water and other non-lubricating media) on-off service. Under certain conditions, hydrodynamic torque can meet or exceed seating and unseating torques. When designing valve systems, hydrodynamic torque must be considered to help ensure correct selection of application

Seat Temperature Ratings

Material	NBR	Neoprene	EPDM	Hypalon	Viton	PTFE
°C	-20~100	-40~100	-40~120	-32~135	-12~230	-50~200
°F	-4~212	-40~212	-40~248	-25.6~275	10.4~446	-58~392



**BUTTERFLY VALVE CENTER STEM
GROOVE VALVE**

Cv Values-Valve Sizing Coefficients (US-GPM@1ΔP)

Valve Size

DEG. OPEN

inch	mm	10°	20°	30°	40°	50°	60°	70°	80°	90°
1½"	40	0.04	1.92	4.1	8.7	15	26	41	65	72
2"	50	0.06	3	7	15	27	44	70	105	115
2½"	65	0.1	6	12	25	45	75	119	178	196
3"	80	0.2	9	18	39	70	116	183	275	302
4"	100	0.3	17	36	78	139	230	364	546	600
5"	125	0.5	29	61	133	237	392	620	930	1022
6"	150	0.8	45	95	205	366	605	958	1437	1579
8"	200	2	89	188	408	727	1202	1903	2854	3136
10"	250	3	151	320	694	1237	2049	3240	4859	5340
12"	300	4	234	495	1072	1911	3162	5005	7507	8250
14"	350	6	338	715	1549	2761	4568	7230	10844	11917
16"	400	8	464	983	2130	3797	6282	9942	14913	16388
18"	450	11	615	1302	2822	5028	8320	13168	19752	21705
20"	500	14	791	1647	3628	6465	10698	16931	25396	27908
24"	600	22	1222	2587	5605	9989	16528	26157	39236	43116
28"	700	31	1703	3605	7813	13961	23037	36459	54689	60102
30"	750	37	2080	4406	9546	17010	28147	44545	66818	73246
32"	800	100	2436	5272	10636	18025	29440	47622	70876	77897
36"	900	260	3050	6730	12740	20220	32500	52500	79600	87500
40"	1000	313	3665	8089	15942	24299	39056	63093	95660	105154
42"	1050	350	4095	9040	17108	27150	43640	70500	106890	117500
48"	1200	455	5365	11840	22400	30600	51200	92300	140000	154000

